



ISO 9001:2008 CERTIFIED

### Application

Indicates direction of flow of compatible liquids in pipelines at working pressures up to 500 psig [34 Bar]. The indicator must be installed in pipeline tees.

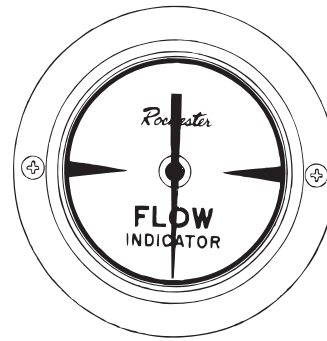
### General Information & Features\*

The head, centershaft, support tube, bearings and vane in these indicators are made of 300 Series stainless steel. Magnets are nickel-plated Alnico, and the threaded mounting adapters are forged steel.

### Replaceable Parts

Model #	Description
5013S00048	4" [100] dial
0040-00413	Mounting screws for 4" dial
0040-00666	Stainless steel mounting bolts 5/16"-24 x 3/4"
0015-00462	Teflon filled stainless steel gasket
0015-00401	Teflon gasket
0093-00002	4" dial bracket
0040-00022	Bracket screws
0039-00002	Aluminum bezel ring for 4" dial
0022-05211	2" NPT mounting adapter
0022-05280	1 1/4" NPT mounting adapter

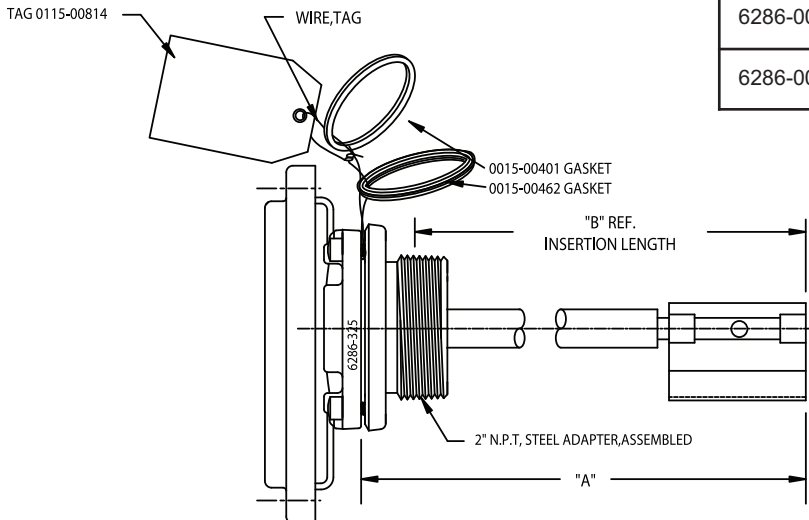
**NOTE:** Torque mounting bolts to 140-150 in.-lb. [16,4 Nm]



4" Dial

### Model Numbers

Model #	Description
6286-00325	Flow indicator with 4" dial, 2" NPT adapter and 3 1/4" "A" dimension
6286-00475	Flow indicator with 4" dial, 2" NPT adapter and 4 3/4" "A" dimension



Tee Size NPT	"A" Dimension
2" x 2" x 2"	3 1/4" [82,5]
2 1/2" x 2 1/2" x 2"	
3" x 3" x 2"	
2 1/2" x 2 1/2" x 2 1/2" with 2 1/2" x 2" bushing	4 3/4" [95]
3" x 3" x 3" with 3" x 2" bushing	

The distance from the top of the mounting adapter to the end of the vane is the "A" dimension. This dimension is dependent on the tee size, as shown above.

Flow indicators with special "A" dimensions may be available — specify your requirements.

\* Materials and specifications are subject to change without notice.

Pressure ratings subject to change due to temperature and other environmental considerations.

Flow Indicator

